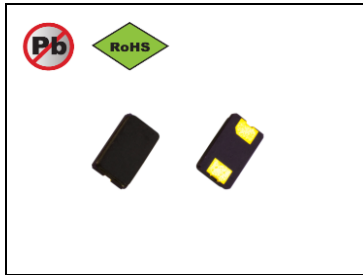


KC5G

CRYSTAL UNIT



■ SMD X-TAL 5.0×3.2mm 2PAD Glass Sealing

- Miniature and lightweight Surface Mount package
- Fundamental crystal design
- RoHS compliants - Pb in glass (exempt per RoHS 2002/95/EC)

- Applications : Consumer electronics, Communications, Test equipment

■ Standard Specification

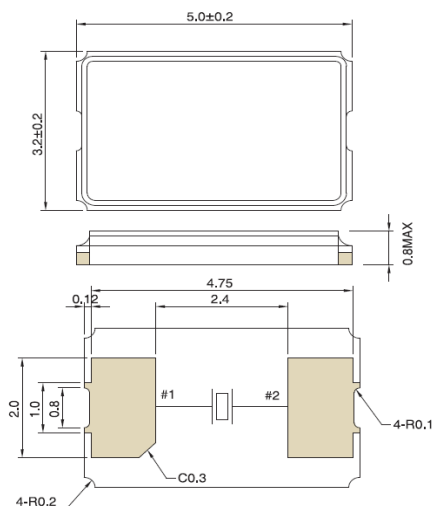
Frequency range	7.3728MHz to 54.000MHz	
Oscillation mode	Fundamental	
Load capacitance (CL)	6pF to 32pF or please specify	
Frequency tolerance (25°C)	±10ppm, ±20ppm, ±30ppm	
Frequency Stability vs Temp range	Temp Stability	Operating temp
	±10ppm	-20 to +70°C
	±15ppm	-30 to +85°C
	±20ppm	-40 to +85°C
	±30ppm	
±50ppm		
Storage temperature range	-55°C to +125°C	
Shunt Capacitance (C0)	7.0pF Max	
Level of drive (DL)	100µW Max (std) or please specify	
Aging (Initial first year)	± 3ppm Max	

■ Motional resistance (ESR)

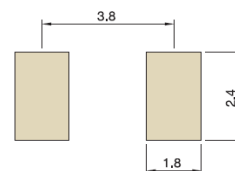
Frequency (MHz)	8 ≤ f < 10	10 ≤ f < 12	12 ≤ f < 16	16 ≤ f < 54
CI (Ω) max	100	80	60	50
Oscillation mode	Fundamental			

*Please contact us for lower ESR

■ Dimensions (mm)



• Recommended Soldering Pattern



CONNECTION
#1 : X-TAL
#2 : X-TAL

